

WIDE ANGLE LIGHTHEAD MANUAL

Surface Mounting

WIRING

To +VDC (fuse @ 2A) :..... **RED**

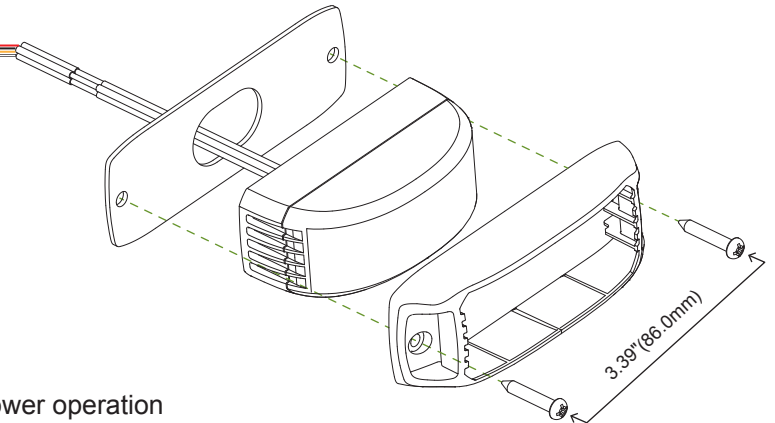
To -Chassis Ground:..... **BLACK**

For Synchronization & Flash Patterns:..... **YELLOW**

Connect **YELLOW** wires of multiple lighthead together for synchronization (All heads should be set at the same Flash Pattern)

For Low Power:.....**WHITE**

Connect **WHITE** wires to +VDC continuously for low power operation



OPERATION

For Simultaneous or Alternating Flash:

1. Apply +VDC to **RED** and **YELLOW** wires simultaneously to enter Grouping mode; lighthead will display short (single or double) flashes:
 - Single flash = Group1
 - Double flash = Group2
2. Remove **YELLOW** wire from +VDC then momentarily apply +VDC to change Groups:
 - Heads of the same Group will flash together.
 - Heads of different Groups will flash alternately.
3. Save and Exit the Grouping Mode by powering off the lighthead.

For Flash Patterns:

Momentarily apply +VDC to **YELLOW** wire:

- once for next pattern
- quick three times for FP#1

NOTE: This unit may not be factory set at FP# 1.

FLASH PATTERNS			
1	Double [R65]	9	Double [SAE]
2	Single [2Hz]	10	Triple [SAE]
3	Triple [2Hz]	11	Quad [SAE]
4	Quad [2Hz]	12	Quint [SAE]
5	Random	13	Ultra [SAE]
6	Steady	14	Single-Quad
7	Single [SAE][CA13]	15	Single H/L
8	Mega [SAE]	16	Singe-Triple-Quint

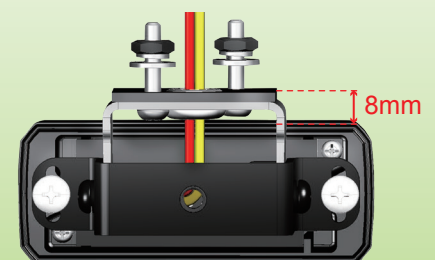
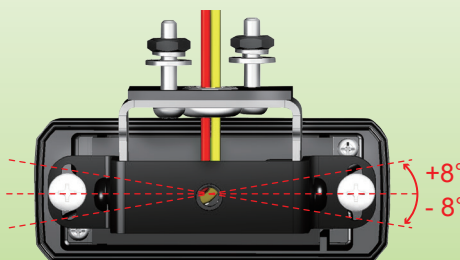
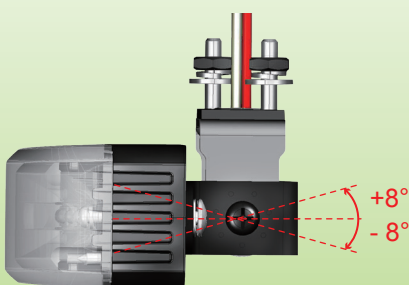
Side Mirror Mounting

ADJUSTABLE RANGE FOR SIDE MIRROR MOUNT

① Up-down tilting: $\pm 8^\circ$

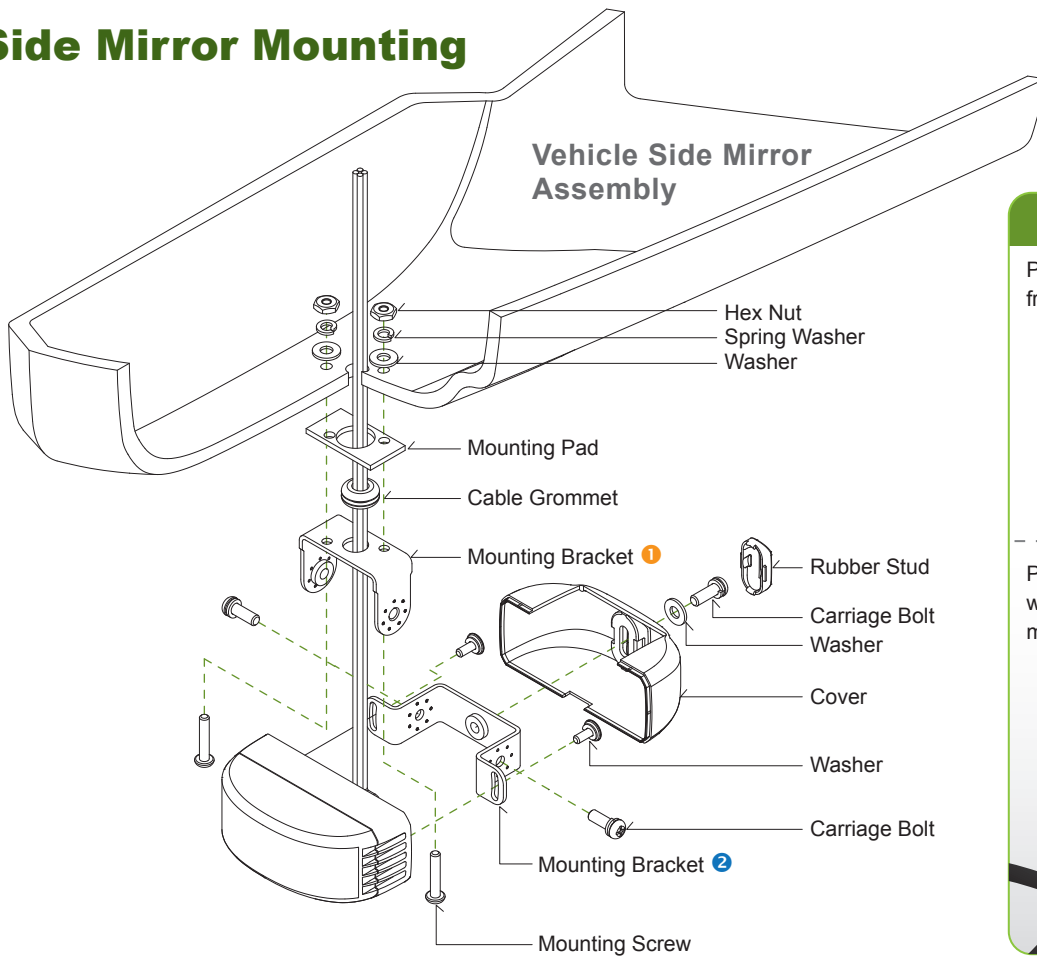
② Left-right tilting: $\pm 8^\circ$

③ Height Adjustment: 8mm



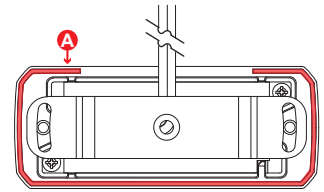
WIDE ANGLE LIGHTHEAD MANUAL

Side Mirror Mounting

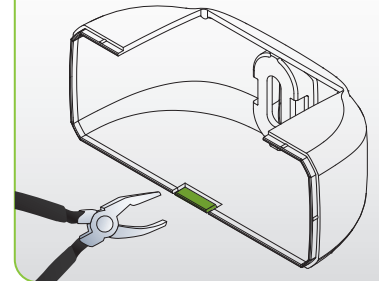


Notes when Mounting with back Cover

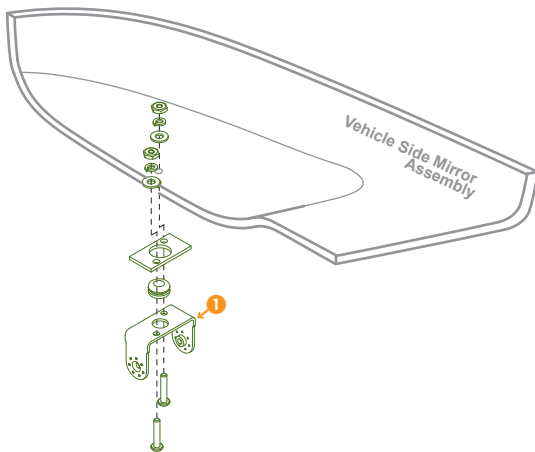
Please ensure that the wires should exit from the side without the groove **A**.



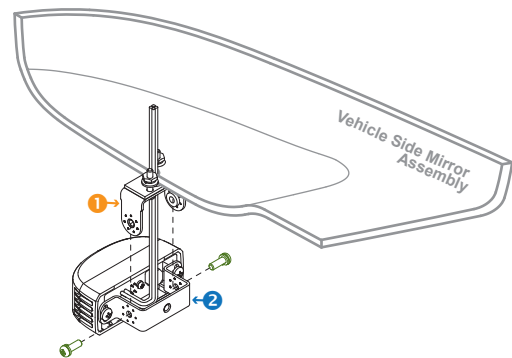
Please break away the drainage notch **B** with pliers. (Not required for pedestal mount)



- 1 Select a mounting location and install the Bracket ① to mirror.

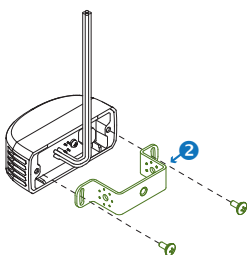


- 3 Feed the wires through the cable grommet and assemble the Bracket ① with Bracket ②.



NOTE: You may adjust the Up-down tilting at this point.

- 2 Attach the Bracket ② to the Lighthouse.



NOTE: You may adjust the height and Left-Right tilting at this point.

- 4 Secure the back Cover with the screw and the rubber stud.

